



# Code Handle

**ASSA ABLOY**

Code Handle® Door

ASSA ABLOY, the global leader  
in door opening solutions

## Code Handle Door – smart locking, smart looking

*ASSA ABLOY Code Handle® Door is a handle with a built-in code lock. It is battery-powered, so no wiring is needed. You can fit it in just a few minutes since everything is housed inside the handle. And because there is no need to modify the door, you can easily move the handle if needed.*



Code Handle Door is the perfect lock for interior doors that have lower security requirements. Typical applications are office doors, doors separating a shop and warehouse/ staff space, or meeting/consultation rooms. Such doors are otherwise often left unlocked for convenience, or because a traditional code lock is expensive, requires extensive installation, or is not aesthetically appealing.

Code Handle Door considerably increases security. If you select auto lock mode, you know that the door is always locked when closed. You can confidently leave your valuables and documents in the office when you go to lunch. Conference participants do not have to take their equipment with them during breaks.

In retail stores, it is an effective barrier to prevent access to the public to back office and warehouse areas. It also prevents unauthorized access to office storerooms. From the inside though, the handle is always unlocked.

You can easily change the code at any time. Each handle can be given up to 9 different user codes. For example, cleaning/ service personnel can use a shared code for all rooms, while office workers have personal codes.

To prevent unauthorized access, the lock is disabled for a few minutes if the incorrect code is entered repeatedly. For maximum security at night, just lock the door using the existing lock cylinder at the end of the day.

Code Handle Door is smart, attractive and priced competitively.

## Examples of application areas



Consultation rooms  
Stores



Offices  
Conference rooms



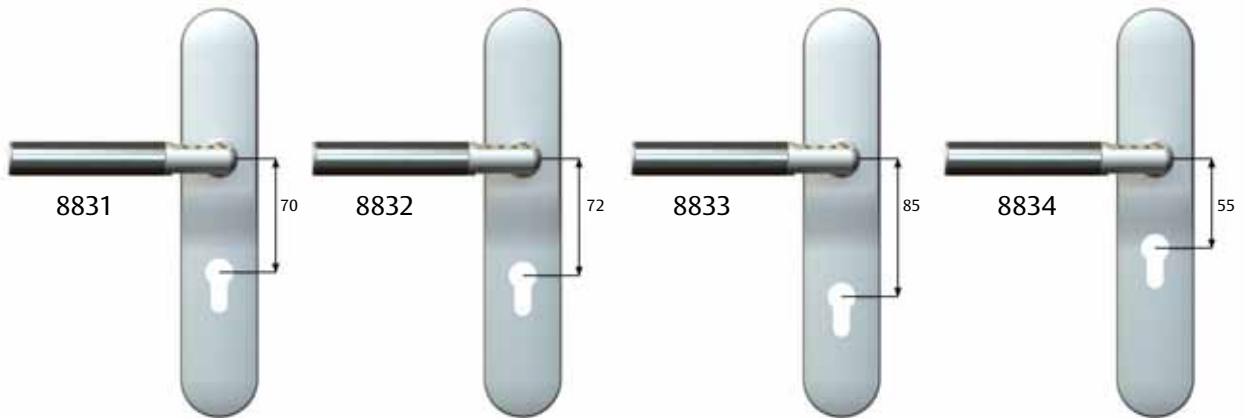
## Code Handle Door

Several models of Code Handle® Door are available and the existing lock case fitted to the door determines which model is suitable. The models comply with the following standards: Scandinavia, Euro/DIN, North American ANSI or Japanese lock cases. The handles are available in right and left versions.



## Long Plates different models

Long Plate is the model to choose if you have EURO cylinder locks and want to replace an existing long plate installation. Choose the Long Plate model based on the distance between the handle and the cylinder bore, which differs between markets. The Long Plate 8830 has no holes for the EURO cylinder and therefore fits most types of lock cases.



# Model 8810, 8811, 8812, 8814, 8815, 8816

## Application

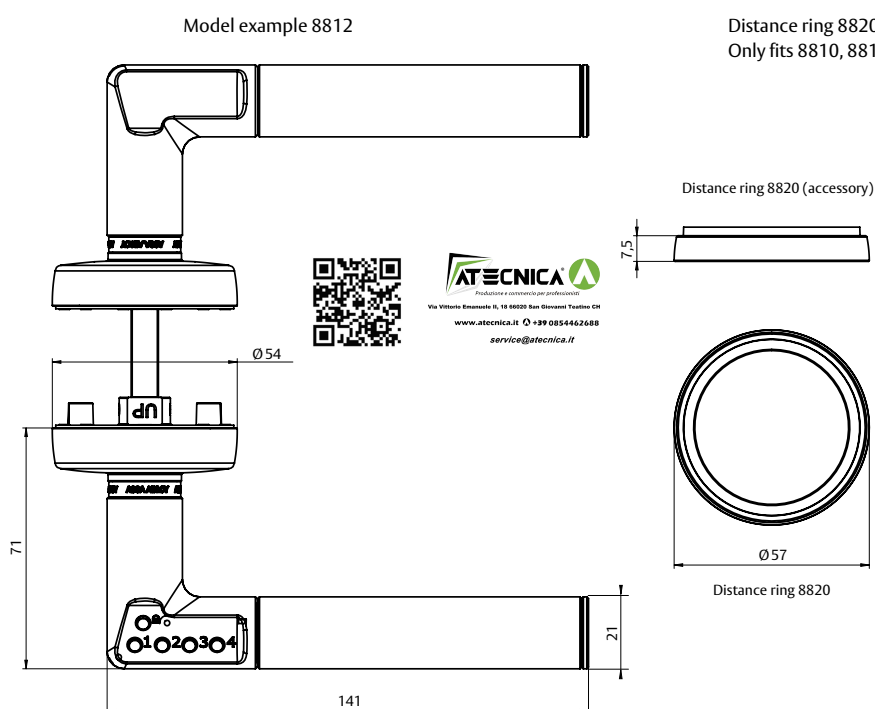
For easy and convenient locking/unlocking of interior door. E.g. Office doors, consultation rooms, store applications (e.g. staff doors)

## Features

- “Access Filtering”
- Easy locking without keys
- No wiring
- Master code and up to 9 user codes.
- Blocking function if wrong code is entered five times
- Auto or manual locking
- “Simplicity creates security”

## Function

- Indoor use only
- Fits lock cases with DIN, ANSI and other relevant standards
- Two CR2, 3V lithium batteries tested, for approx 30 000 cycles (1 cycle = 1 opening and locking operation)
- 4-6 digit code
- Material: brushed stainless steel and satin chrome zinc
- Indication for battery change
- Tested to at least 100 000 operations, according to EN 1906
- Fire tested according to EN 1363



Distance ring 8820 (accessory)  
Only fits 8810, 8811, 8812 and 8814

8812 for European DIN standard  
8810 and 8811 for Scandinavian standard  
8814 for ABLOY lock cases  
8815 for Japan  
8816 for ANSI Standard North America  
8818 For Spain (8812 rose with 45°)  
Also available in Long Plate versions.

For drawings of 8810, 8814, 8815, 8816, 8817 and 8818, please see our homepage [www.assaom.se](http://www.assaom.se).

Number	Description	Adopted for locks	Non coded model
8812-7	Code Handle	DIN Standard 7mm sprint (FR)	8802-7
8812-8	Code Handle	DIN Standard 8mm sprint (EU)	8802-8
8814	Code Handle	ABLOY lock cases (9456 etc.)	8804
8815	Code Handle	JAPAN	
8816	Code Handle	ANSI version for North America (8mm spindle)	8806
8818	Code Handle	Same as 8812 but turned rose 45°	
8810	Code Handle	Scandinavia Modul, Evo, Connect	8801
8811	Code Handle	Scandinavian residential 2014	8803
8820	Distance ring		
8821	Battery hatch incl. spring		

All variants is supplied in right or left handle version. Also in Long Plate Versions.

# Model Long Plate 8830, 8831, 8832, 8833, 8834

## Application

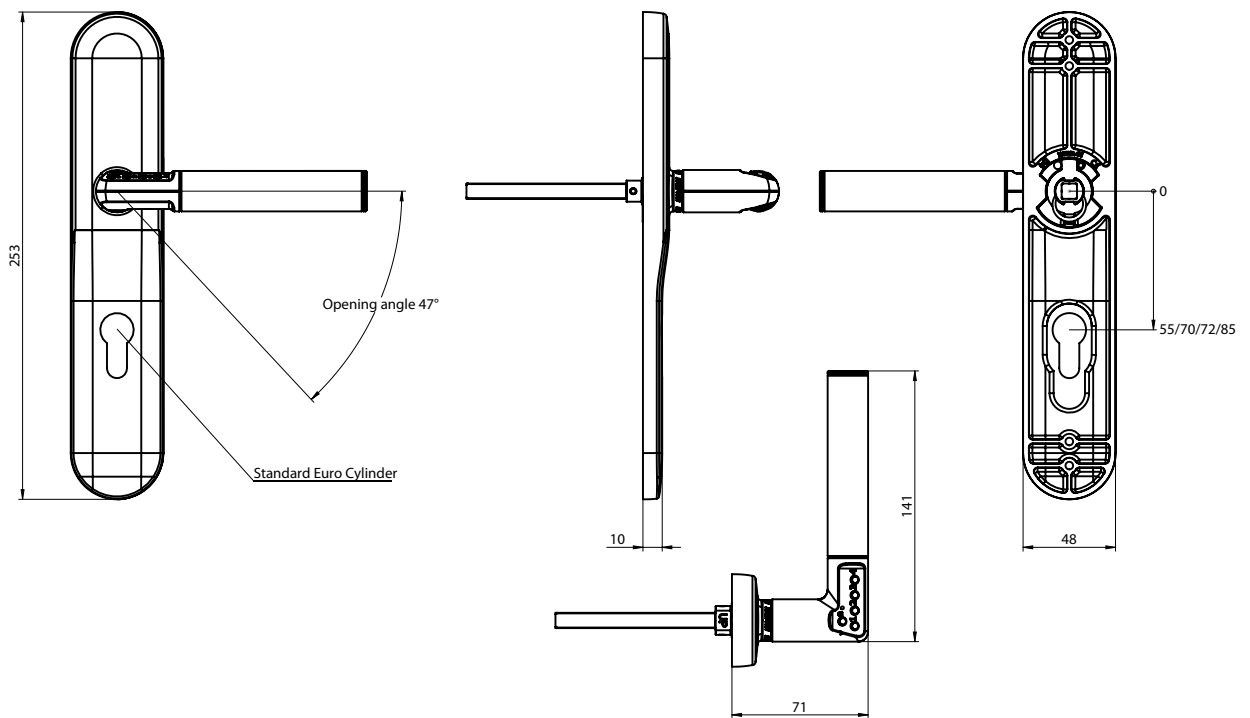
For easy and convenient locking/unlocking of interior door.  
E.g. Office doors, staffrooms, archives, back office, store applications.

## Features

- “Access Filtering”
- Easy locking without keys
- Easy to fit, no wiring
- Master code and up to 9 user codes
- Blocking function if wrong code is entered five times
- Auto or manual locking
- “Simplicity creates security”
- With or without Euro cylinder option

## Function

- Indoor use only
- Fit most lock cases
- Two CR2, 3V lithium batteries in the outer handle, (approx 30 000 cycles (lock/unlock))
- 4-6 digit code
- Material: brushed stainless steel and satin chrome zinc
- Indication for battery change
- Tested to at least 100 000 operations, according to EN 1906
- Fire tested according to EN 1363



Number	Description	Adopted for locks	Spindle/Keyhole
8830-8	Code Handle Long Plate 8 mm spindle W/O hole	EU	N/A
8830-7	Code Handle Long Plate 7 mm spindle W/O hole	FR	N/A
8831	Code Handle Long Plate 7 mm spindle 70 mm to cylinder centre	FR	70 mm
8832	Code Handle Long Plate 8 mm spindle 72 mm to cylinder centre	EU	72 mm
8833	Code Handle Long Plate 8 mm spindle 85 mm to cylinder centre	EU	85 mm
8834	Code Handle Long Plate 8 mm spindle 55 mm to cylinder centre	NL(EU)	55 mm
8821	Battery hatch incl. spring		

All variants is supplied in a right or left handle version.  
All variants can be delivered as a version W/O code.  
Code Handle is also available in several Rose versions.

ASSA ABLOY is the global  
leader in door opening solutions,  
dedicated to satisfying  
end-user needs for security,  
safety and convenience

**ASSA ABLOY**

ASSA OEM AB  
P.O. Box 12199  
SE-402 42 Göteborg  
Sweden  
Phone +46 (0)31-704 40 00  
Fax +46 (0)31-14 93 73  
Customer support:  
[customersupport@assaoem.se](mailto:customersupport@assaoem.se)  
[www.assaoem.se](http://www.assaoem.se)